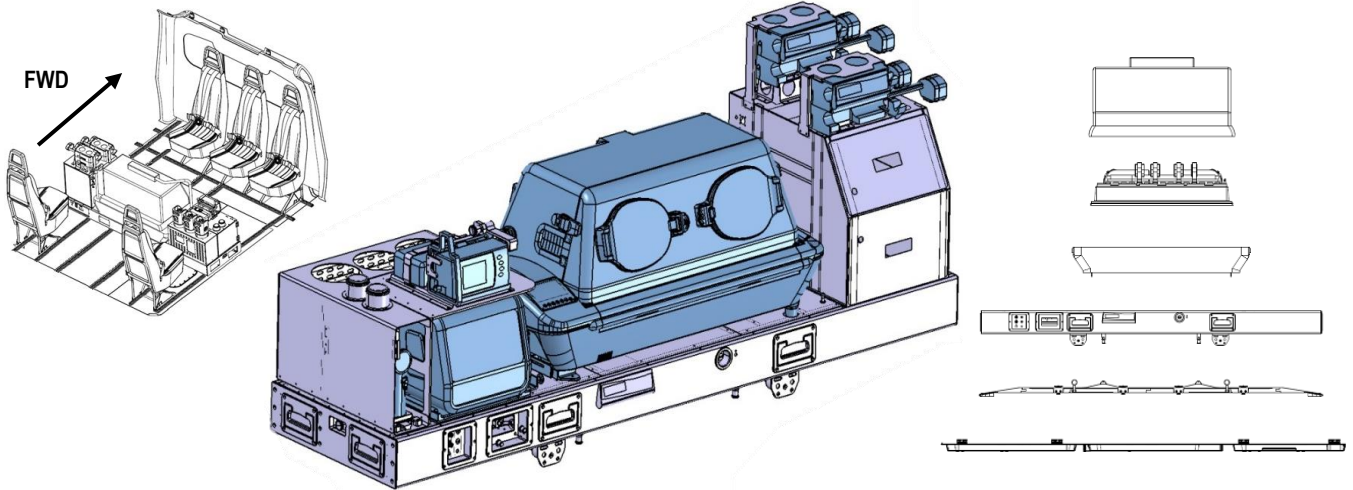


New Neonatal Transport System

Designed for Airborne and Road Neonatal Intensive Care unit, the Neonatal Transport System is a modular platform for the ATOM V-808 incubator transport and the medical devices connected to it.



	MEDICAL RACK
<i>p/n</i>	TPS169-03-00
<i>Material</i>	AL2024
<i>Dimension LxWxH</i>	40.2 x 28.3 x122 cm
<i>Structure Weight</i>	40.5kg
<i>Interface frame</i>	15kg
<i>Transport Incubator ATOM V-808</i>	37kg
<i>Weight with compatible devices</i>	145 kg

Key Features

- Child restraint system;
- CE Medical Certification & Production;
- Compliant with flammability Requirement;
- Accessory Box for Medical Devices and O₂/Air bottles;
- N°2 drawers for medical accessories, max 1.5kg/each;
- Quick and Easy Attach and Remove
- Platform Compatible to
 - Aerolite EMS Multimission floor through an Interface Frame;
 - Standard CE Stretcher;
- Platform equipped with:
 - Electrical system;
 - Oxygen system;
 - Incubator quick release system;
 - Platform hooking system to the interface frame.

	COMPATIBLE DEVICES	DIMENSION AND WEIGHT
<i>Intelligent transport ventilation</i>	Hamilton – T1 Hamilton Medical AG	31x22x24.5cm 6.5kg
<i>N°4 Infusion Syringe pump</i>	Perfusor Space B. Braun	24.9x6.8x15.2cm 4X1.2kg
<i>Suction Unit</i>	LSU - 4 Laerdal	18.5x8.12x26.2cm 1.6kg
<i>Monitor</i>	Philips Intellivue MP30 Philips	5.8kg
<i>N°3 O₂/Air Cylinder</i>	Luxfer type BFC	3x7kg

Electrical Characteristics

- AC:220 – 240 V AC, 800 VA
- DC:12 V DC, 16 A max

Applicability on:

- AW139, AW169, EC145 with Aerolite EMS Equipment Symmetrical installation (FWD and AFT)
- CE marked for the use in Hospitals and on Road Ambulances