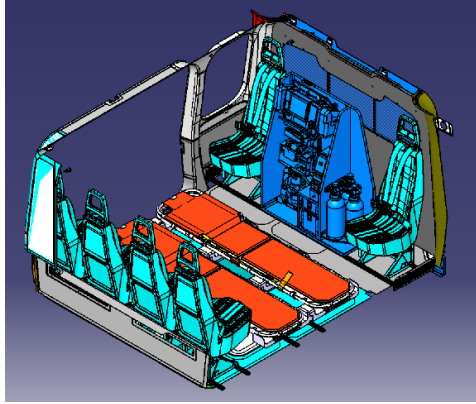


Medical Interior Kit AW189

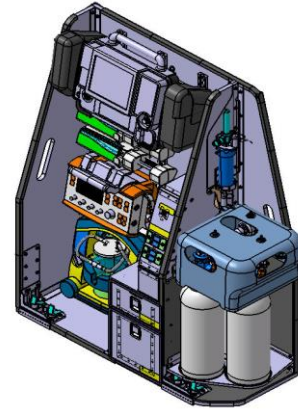
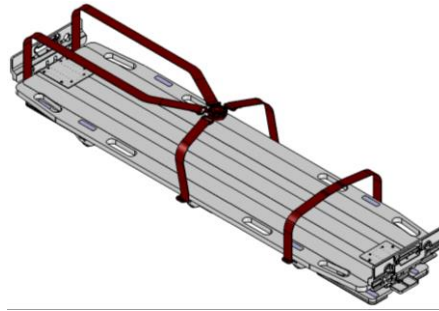
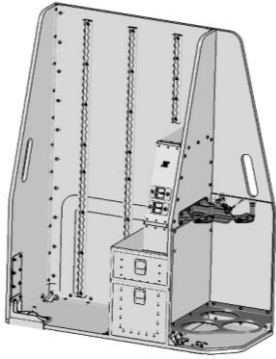
Includes a Rack with all the basic equipment for an aeromedical transportation and a custom stretcher.



Cabin layout:

The whole installation is positioned transversally to the flight direction:

- Rack replaces two front row seats, behind Pilots. It can be installed optionally on right, centre or left of the same row, in order to have configuration flexibility;
- N°1 or N°2 Stretchers replaces the central seats rows.



	Rack	Stretcher
P/N	TPS139-0300-0100-00-00	TPS139-0300-3000-00-00
Material	Composite Sandwich and AL 2024	
Dimension LxWxH	0.90x0.35x1.1m	1.95x0.47x0.18m
Weight	28.6kg	29.5kg

	COMPATIBLE DEVICES	DIMENSION AND WEIGHT
Monitor/defibrillator	LIFEPAK 15 Physio-Control	40.1x31.7x23.1cm 8.6 kg
N°2 Infusion Syringe pump	Perfusor Space B. Braun	24.9 x 6.8 x 15.2cm 2 x 1.2kg
Ventilator	Oxylog 3000 plus Dräger	29.0x18.4x17.5cm 5.8kg
Suction Unit	LSU Laerdal	31.5x33.0x16.0cm 4.0kg
N°3 Oxygen Cylinder	L7X-AL Luxfer gas cylinders	47.3x(D)14.0cm 6.5kg

Key Features

- 3 Possible Configurations
- CE Medical Certification & Production
- Safe and Easy access to medical devices
- N°2 Drawers for medical accessories, max 3kg/each
- Quick and Easy Attach and Remove, compatible with standard attachment seat rails.

Electrical Characteristics:

- N°2 USB-A Charging Port, 2.1A/10W per port
- N°2 220V Universal Power Outlet
- Max Power Consumption 500W.

Applicability on:

- AW189 equipped with Aerolite medical interior
STC to be developed